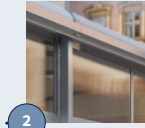
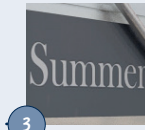




1 Optional: insulated thermal roof



2 Impressive 3.85 metre sidewall height



3 Horizontal 22mm thick panels add a modern, clean look



### Product

The Alure Globe is a versatile, semi-permanent structure consisting of an aluminium curved frame with a distinctive curved roof. The modern design offers your accommodation an exclusive look.

### Design

The Alure Globe consists of a clear span aluminium construction available in widths of 10, 15, 20, 25 or 30 metres and has a sidewall height of 3.85 metres. The length is unlimited and can be increased in increments of 5 metres. The structure is fitted with the Neptunus raised cassette floor as standard and the integrated Neptunus rain gutter system.

Because the columns are integrated in the wall, the Alure Globe has a sleek inner wall. The 22mm thick horizontal insulated PVC and/or glass panels provide a modern look. The roof canopy comes standard in white opaque (non-permeable to light). For a longer (winter) period it is also possible to equip the Alure Globe with an insulated thermo roof.

### Features

Manufactured from high-quality raw materials the Alure Globe is exceptionally durable and versatile. Its contemporary design also features insulation to ensure it is the environmentally friendly choice for discerning clients. It can be connected to structures of the same type as well as other Neptunus designs and equipped with internal finishes to suit your requirements.

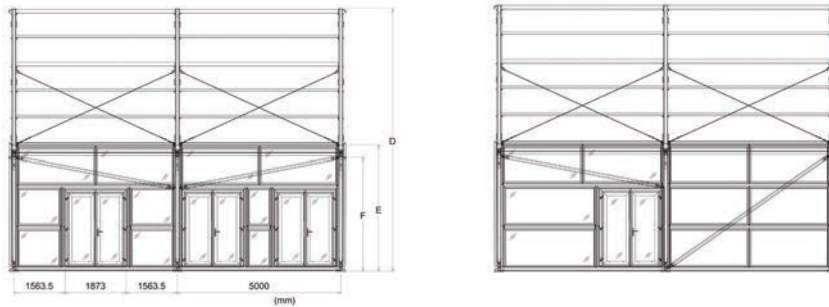
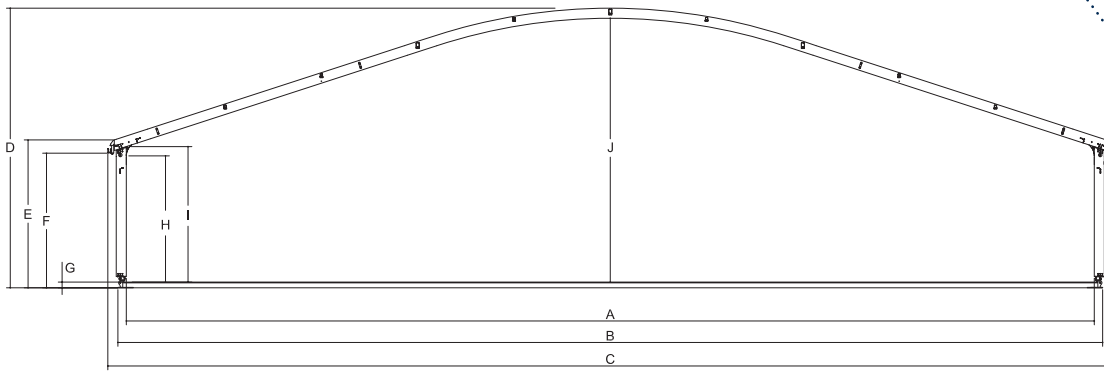
### Applications

This semi-permanent structure has a modern design and can provide a superb first impression. It can offer an attractive solution for a (company) restaurant, temporary shop, showroom, reception area or conference room. The structure can also be easily branded to align with company logos and colours.



structures

neptunus.co.uk



	10 m	15 m	20 m	25 m	30 m
A	1013	1513	2013	2513	3013
B	1056	1556	2056	2556	3075
C	1100	1600	2100	2606	3116
D	490	572	654	726	816
E	385	385	385	384	384
F	350	350	350	349	350
G	15	15	15	15	16
H	334	334	334	327	327
I	355	355	355	351	351
J	454	536	618	685	771

