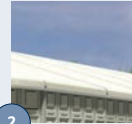


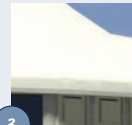
1

The rounded gable creates a striking look



2

Seamless connection to the Alu Hall



3

The Neptunus rain gutter tensioning system ensures that the roof canopy stays taut



The Product

If you are searching for a unique look for an event structure look no further than the Neptunus Dome. Its eye-catching round façade flows seamlessly into an Alu Hall providing a stylish modern structure.



Design

The Dome is a clear span structure with a sidewall height of 3 metres which extends into 16m Alu Hall in 5 metre increments in length. Supplied with rigid PVC sidewall panels as standard, there are also options for glass panels or curtain sliding walls.

Features

The gable is rounded with a peaked roof, which creates a striking and attractive entrance. The roof canopy is opaque (non-permeable to light) 80%, but also available in transparent PVC. The Dome is equipped with the Neptunus raised cassette floor and the special Neptunus rain gutter tensioning, which means the roof canopy stays taut at all times.

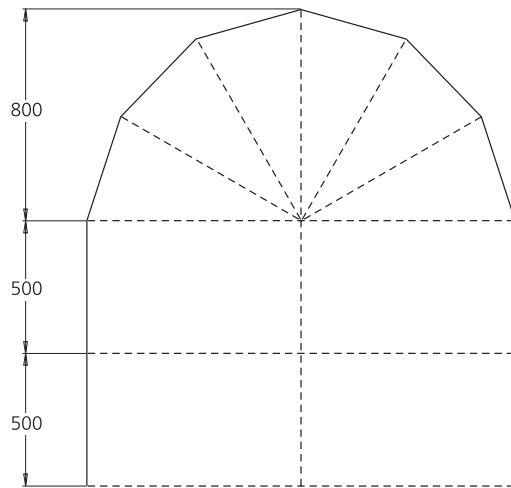
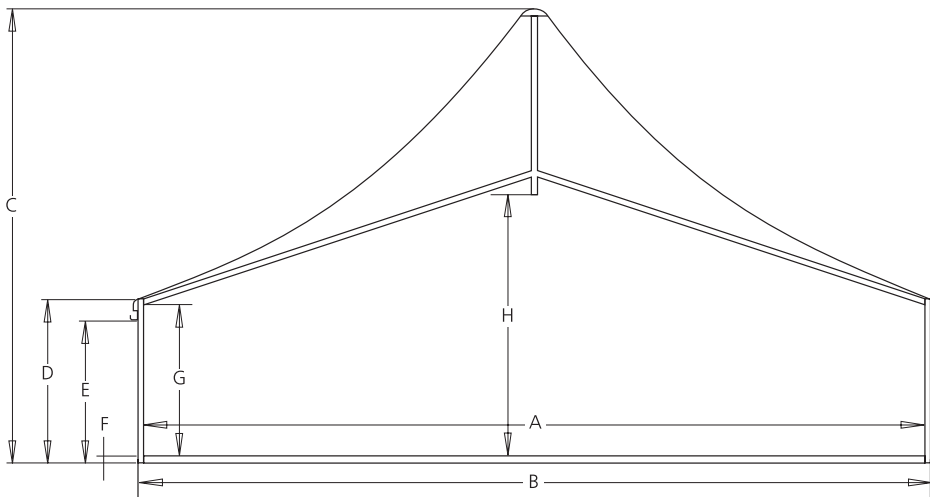
Applications

The unique design makes the Dome ideally suited as an entrance to an event or for use as a hospitality facility or reception.



structures

neptunus.co.uk



	Dome
A	1575
B	1650
C	915
D	330

	Dome
E	280
F	15
G	300
H	530

